

WiMOD - iM222A

Datasheet Version 2.0



Document ID: 4100/6404/0045

IMST GmbH
Carl-Friedrich-Gauss-Str. 2
D-47475 Kamp-Lintfort



Document Information

File name	iM222A_Datasheet
Created	2011-05-04
Total pages	22

Revision History

Version	Change
1.0	Released version.
2.0	Modifications to document format and layout. Added chapter 4.3, 8, and 9.

Aim of this Document

The aim of this document is to give a detailed product description including interfaces, features and performance of the radio module iM222A.

Table of Contents

1	SUMMARY / INTRODUCTION	5
1.1	Key Features	5
1.2	Applications	5
2	MODULE OVERVIEW	6
3	SPECIFICATION	7
3.1	Absolute Maximum Ratings	7
3.2	General Characteristics	7
3.3	Module Interface Characteristics	8
3.4	RF Characteristics	9
3.5	Pinout Description	10
3.6	Module Dimension	12
3.7	Recommended Footprint	12
4	INTEGRATION GUIDE	13
4.1	Typical Application Schematic	13
4.2	PCB Design Recommendation	14
4.3	Recommended Soldering Conditions	15
5	ADDITIONAL DOCUMENTATION	16
6	PACKAGING INFORMATION	17
6.1	Carrier Tape Information	17
6.2	Reel Information	17
7	ORDERING INFORMATION	18
8	APPENDIX	19
8.1	List of Abbreviations	19
8.2	List of Figures	20
8.3	List of Tables	20
8.4	References	21
9	REGULATORY COMPLIANCE INFORMATION	21

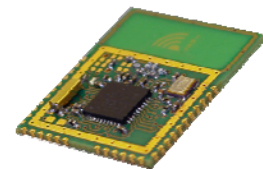
10 IMPORTANT NOTICE	22
10.1 Disclaimer	22
10.2 Contact Information	22



1 Summary / Introduction

The iM222A is a compact, low power, bidirectional radio module for the 2.4 GHz frequency band. Using the iM222A in an application minimizes the need for an expensive and time-consuming RF development. Fast time to market is possible with this module.

The radio module has enough processing power to run an entire ZigBee application on top of the ZigBee Stack from Texas Instruments. IMST offers development support for any type of application on the basis of the iM222A, including different IEEE 802.15.4-based standards like 6LoWPAN, RF4CE and others.



This datasheet includes the hardware specifications and describes the hardware features of the iM222A. For additional information about programming and software development for the iM222A please read application note "iM222A_AN001_SW-Development".

1.1 Key Features

- Complete ZigBee Ready module
- Output power up to 4.5 dBm
- Excellent Link budget of 101 dBm
- Integrated antenna or 50 Ohm pad
- UART, SPI and Debug interface
- 256 kB Flash memory, 8 kB RAM
- 12-Bit ADC
- 128-Bit AES encryption engine
- Bootloading support

1.2 Applications

- 2.4 GHz IEEE802.15.4 systems
- ZigBee PRO systems
- Low-Power wireless sensor networks
- RF remote control and RF4CE systems
- Smart Metering systems
- Home-, Building-, Industrial Automation
- Lighting systems
- Health Care
- Consumer Electronics
- ...

Please visit our web site www.wireless-solutions.de for more information.

2 Module Overview

The iM222A is a small radio module for the 2.4 GHz frequency band. It provides a complete RF/MCU design including a transceiver, a microcontroller with AES coprocessor, a PCB antenna, and all necessary passive components as depicted in Figure 2-1. It supports many different peripherals¹ like UART, SPI, 8-channel ADC and interrupt capable digital I/Os which can be configured by the user. Low power consumption is achieved with an integrated low frequency crystal unit that enables sleep mode support for ZigBee end devices.

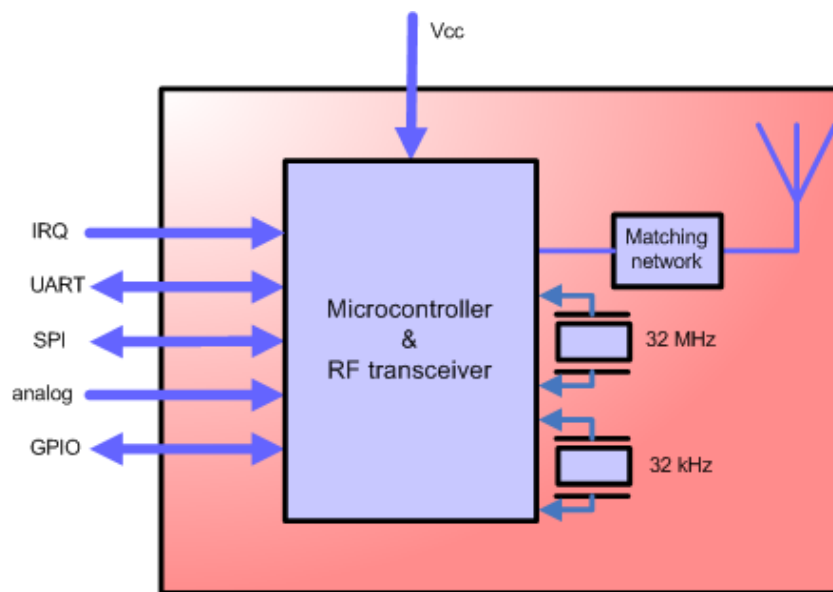


Figure 2-1: Block Diagram - iM222A

The used transceiver (CC2530) supports full IEEE 802.15.4 compatibility. With the integrated microcontroller, the ZigBee protocol stack (Z-stack) from Texas Instruments, and a ZigBee application it is possible to establish a ZigBee compliant network solution. When using the TI firmware additionally the complete TI development toolchain (Z-tool) can be used for testing and evaluating the iM222A. Furthermore the module can be used with proprietary application firmware and/or protocol stacks based on the IEEE 802.15.4 MAC layer.

When using the TI stack an integrated bootloading functionality enables the user to make a firmware update over the UART interface. To use the bootloader an upload tool which is part of the Z-Stack package from TI (SBDemo) has to be used.

The module is solderable like a SMD-component and can easily be mounted on a simple carrier board with a minimum of required external connections. It is RoHS compliant and pre-qualified in accordance to ETSI EN 300 440-2 V1.4.1.

¹ Not all can be used at the same time

3 Specification

In the following different electrical characteristics of the iM222A are listed. Furthermore details and other parameter ranges are available on request.

3.1 Absolute Maximum Ratings

Parameter	Range	Unit	Condition
Supply voltage	-0.3 to 3.9	V	
Input voltage	-0.3 to VCC +0.3	V	Any Digital pin
DC current	4	mA	Per digital pin
	20	mA	Only radio module pin 14 and pin 15
Operating temperature	-20 to +70	°C	
Storage temperature	+5 to +35	°C	Device not programmed

Table 3-1: Absolute Maximum Ratings

Note: Stress exceeding of one or more of the limiting values listed under “Absolute Maximum Ratings” may cause permanent damage to the radio module.

3.2 General Characteristics

T = 25°C, VDD = 3V (typ.) if nothing else stated

Parameter	Range	Unit	Condition
Operating supply voltage VCC	2.0 to 3.6	V	Typ. 3.0 V
Current consumption	typ. 24.3	mA	Receive mode
	typ. 28.5	mA	Transmit @ 0 dBm
	typ. 33.5	mA	Transmit @ max. RF output power
	typ. 3.4	mA	μC active, TRX off
	typ. 1	μA	Power mode 2, 32.768kHz crystal
	typ. 0.4	μA	Power mode 3
Dimension (L x W x H)	20 x 25 x 2.7	mm	±0.2mm
MCU operation frequency	32	MHz	
Real time oscillator frequency	32.768	kHz	
Memory (Flash)	256	KB	Minimum endurance: 1000 write/erase cycles.
Memory (RAM)	8	KB	

Table 3-2: General Characteristics

3.3 Module Interface Characteristics

T = 25°C, VDD = 3V (typ.) if nothing else stated

Parameter	Range	Unit	Condition
Digital output voltage	2.4 to VCC	V	High level
	GND to 0.5	V	Low level
Digital input voltage	2.5 to VCC	V	High level
	GND to 0.5	V	Low level
I/O pin pull-up/pull-down resistor	20	kΩ	
Pulse width on /RESET pin	min. 2.5	μs	Low active pin. See Note 1.
UART baud rate	typ. 115.2	kbps	
SPI baud rate	max. 4000	kbps	
ADC resolution	7 to 14	Bit	
ADC conversion time	20 to 132	μs	Depends on ADC resolution (68 μs @ 10 bit resolution)
ADC input resistance	197	kΩ	
Analog int. reference voltage	1.15	V	
Notes:			
1) Shorter pulses may be recognized but will not lead to complete reset of all units within the module.			

Table 3-3: Module Interface Characteristics

Note: Additional to the reset pin the module has a Power-On-Reset (POR) functionality which holds the module in reset state until supply voltage increase above the POR threshold (rising edge). It will not work unless VCC has been below POR threshold (falling edge). See chapter 3.5 for additional information to the POR feature.

All radio module IOs except DIO_7 and DIO_8 are configured as input with pull-up resistor when a reset condition becomes active.

3.4 RF Characteristics

T = 25°C, VDD = 3V (typ.) if nothing else stated

Parameter	Range	Unit	Condition
Frequency range	2405 to 2480	MHz	16 IEEE 802.15.4 channels
Channel spacing	5	MHz	
RF data rate	250	kbps	
RF output power	max. +4.5	dBm	
RF output power range	32.5	dB	
RF sensitivity	typ. -97	dBm	1 % PER (Note 1)
Modulation techniques	O-QPSK		
Range	up to 500	m	Outdoor (line of sight) with external antenna (0 dBi) on pin ANT.
Notes:			
1) PER = Packet Error Rate ; 20 bytes packet length.			

Table 3-4: RF Characteristics

3.5 Pinout Description

Figure 3-1 depicts the pinout of the iM222A.

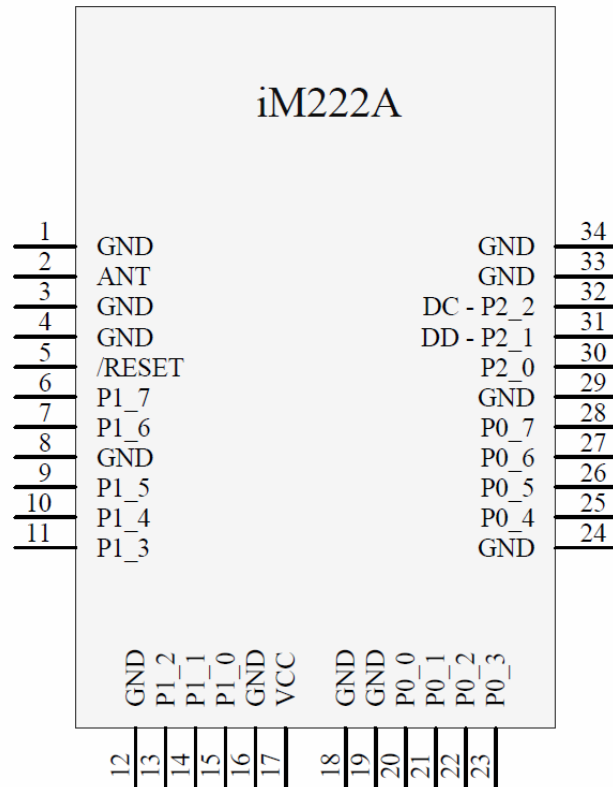


Figure 3-1: Pinout

Table 3-5 shows the pinout and short description of the iM222A. The pin naming relates to the pin description of the CC2530 datasheet (SWRS081B) from Texas Instruments. The pin functionality as well as their usage is described in the aforementioned document in detail. For a customized application with the iM222A all peripheral features of the CC2530 can be used (see CC2530 datasheet).

Note: The POR functionality does not work correctly if the I/O-pins are connected to a second power supply while the radio module is powered up.

For example, if connecting the radio module to a host controller (e.g. RXD and TXD to another microcontroller) with separate power supply, it is strictly recommended to set all I/O-pins of this controller to high impedance or to GND potential when the radio module is powered down. If do not so, it is possible that the radio module is powered by the host controller over its I/O-pins with the result that the POR feature does not work correctly and the module status is undefined.

PIN #	Name	Description	PIN Type
1	GND	Ground connection	Supply
2	ANT	Ext. antenna connection. Use only after consultation.	
3	GND	Ground connection	Supply
4	GND	Ground connection	Supply
5	/RESET	RESET input pin ³	
6	P1_7	Digital IO / SPI1_MISO ² / UART1_RX ²	I/O
7	P1_6	Digital IO / SPI1_MOSI ² / UART1_TX ²	I/O
8	GND	Ground connection	Supply
9	P1_5	Digital IO / SPI0_MOSI ² / UART0_TX ² / SPI1_C ² / UART1_RT ²	I/O
10	P1_4	Digital IO / SPI0_MISO ² / UART0_RX ² / SPI1_SS ^{2,3} / UART1_CT ²	I/O
11	P1_3	Digital IO / SPI0_C ² / UART0_RT ²	I/O
12	GND	Ground connection	Supply
13	P1_2	Digital IO / SPI0_SS ^{2,3} / UART0_CT ²	I/O
14	P1_1	Digital IO	I/O
15	P1_0	Digital IO	I/O
16	GND	Ground connection	Supply
17	VCC	Supply voltage (typ. 3V)	Supply
18	GND	Ground connection	Supply
19	GND	Ground connection	Supply
20	P0_0	Digital IO / Analog input A0	I/O
21	P0_1	Digital IO / Analog input A1	I/O
22	P0_2	Digital IO / SPI0_MISO ¹ / UART0_RX ¹ / SPI1_SS ^{1,3} / UART1_CT ¹ , Analog input A2	I/O
23	P0_3	Digital IO / SPI0_MOSI ¹ / UART0_TX ¹ / SPI1_C ¹ / UART1_RT ¹ , Analog input A3	I/O
24	GND	Ground connection	Supply
25	P0_4	Digital IO / SPI0_SS ^{1,3} / UART0_CT ¹ / SPI1_MOSI ¹ / UART1_TX ¹ , Analog input A4	I/O
26	P0_5	Digital IO / SPI0_C ¹ / UART0_RT ¹ / SPI1_MISO ¹ / UART1_RX ¹ , Analog input A5	I/O
27	P0_6	Digital IO / Analog input A6	I/O
28	P0_7	Digital IO / Analog input A7	I/O
29	GND	Ground connection	Supply
30	P2_0	Digital IO	I/O
31	P2_1	Digital IO / Debug Data (data line for programming and debugging)	I/O
32	P2_2	Digital IO / Debug Clock (clock line for programming and debugging)	I/O
33	GND	Ground connection	Supply
34	GND	Ground connection	Supply

Notes:

- 1) Alternative location one of the peripheral unit.
- 2) Alternative location two of the peripheral unit.
- 3) Low active pin.

Table 3-5: Pinout iM222A

Note that the peripheral units (UART, SPI, Timer) have two alternate locations for their I/O pins. Please read the CC2530 datasheet (SWRS081B) or the CC2530 user's guide (SWRU191B) from Texas Instruments for detailed information.

4 Integration Guide

4.1 Typical Application Schematic

Figure 4-1 shows a schematic of a typical application.

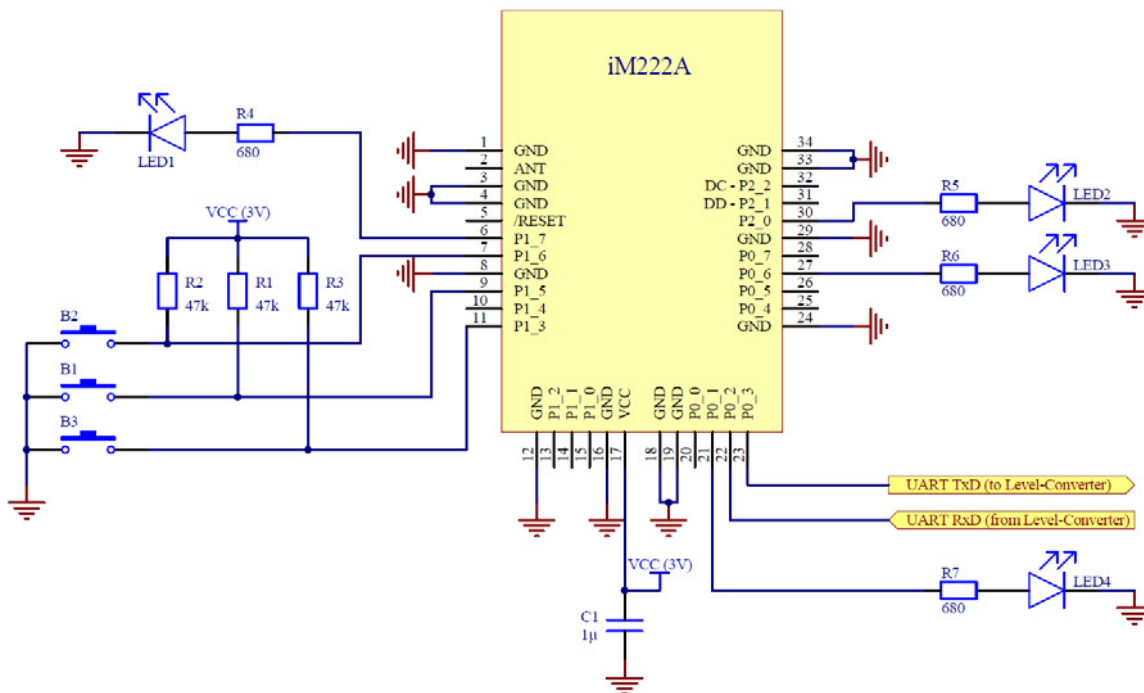


Figure 4-1: Sample application schematic using UART communication

In this sample application P0_2 and P0_3 are used as serial interface and should be connected to a host controller or to a host PC (via a level converter). P1_7, P0_1, P0_6, and P2_0 are used as outputs. It must be ensured that the maximum DC current per pin (see Table 3-1) is not exceeded. P1_3 to P1_5 are used as digital inputs. A blocking capacitor is recommended between VCC and GND.

4.3 Recommended Soldering Conditions

An example of the temperature profile for the reflow soldering process of the iM222A is depicted in Figure 4-3 with the corresponding values as given by Table 4-1. The temperature values should not exceed the limits.

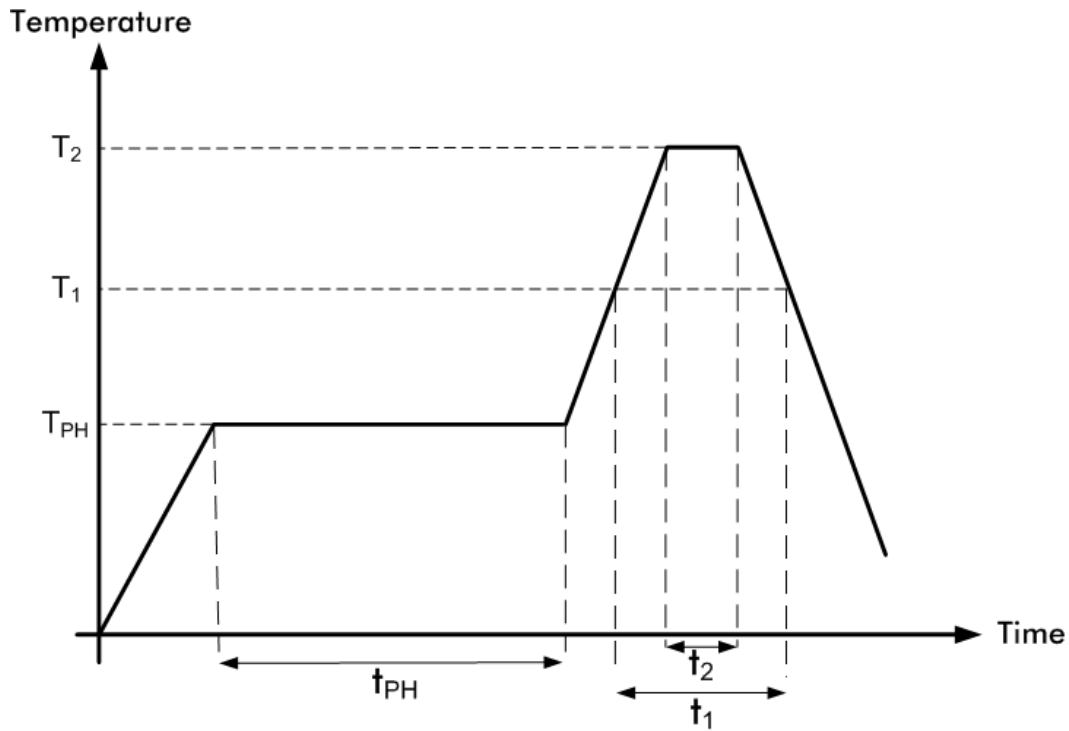


Figure 4-3: Recommended Solder Reflow Profile

Phase	Pb-Free Conditions
Preheating	$t_{PH} = 120s$ $T_{PH} = 160\sim 180^{\circ}C$
Primary heat	$t_1 = 60s$ $T_1 = 220^{\circ}C$
Peak	$t_2 = 10s (max)$ $T_2 = 255^{\circ}C$

Table 4-1: Recommended Soldering Parameter for Temperature and Timing

Note: The quality of the soldering process depends on several parameters, e.g. soldering paste, carrier board design, fabrication equipment,...

5 Additional documentation

1. “iM222A_AN001_SW-Development”, IMST GmbH

This document gives an overview of the possible software options from Texas Instruments that can be used in conjunction with the iM222A and assists in finding the right documentation for a specific software solution. The pinout of the iM222A and the mapping to the CC2530 as well as the debugging interface and the WiMOD development board are described in detail within this document.

2. CC2530 datasheet ([swrs081b.pdf](#)), Texas Instruments

Datasheet of the CC2530, hardware information.

3. CC2530 User’s Guide ([swru191b.pdf](#)), Texas Instruments

This document describes the specific features, the peripherals and the register settings of the CC2530.

6 Packaging Information

6.1 Carrier Tape Information

All dimensions are in millimeters.

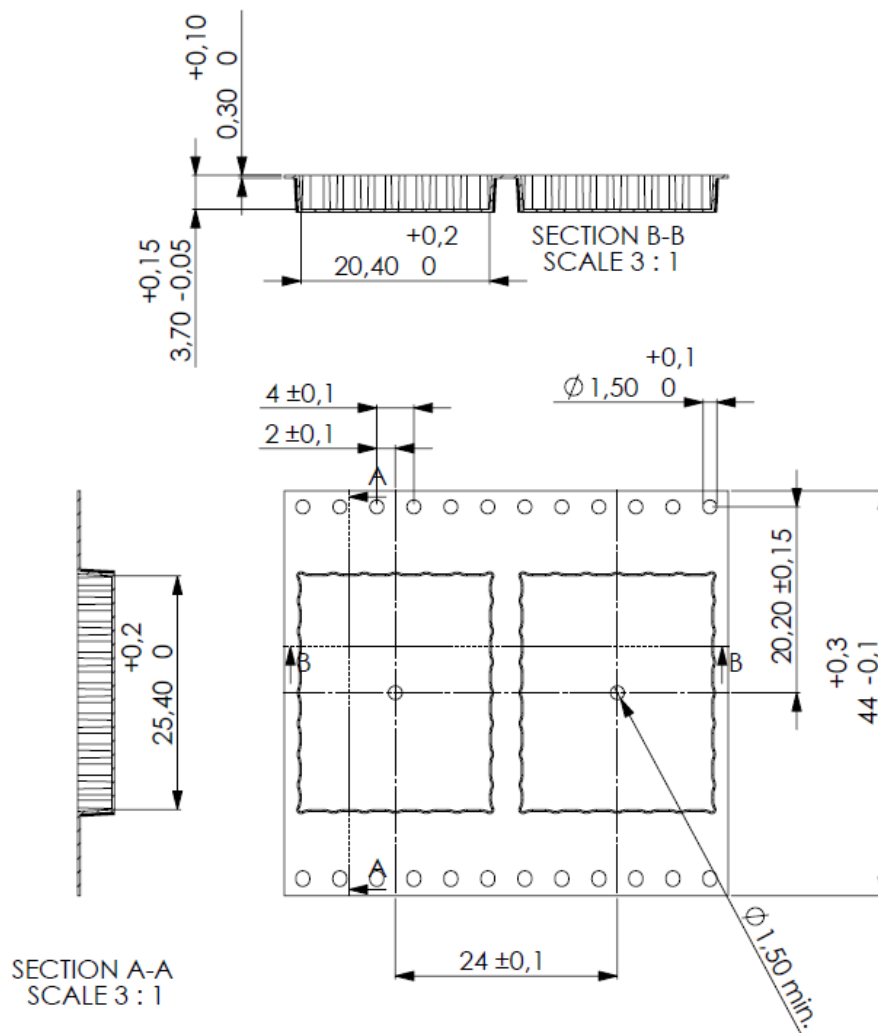


Figure 6-1: Dimensions of the iM222A Carrier Tape

6.2 Reel Information

Reel diameter	Core diameter	Core width	Units per reel
330mm	100mm	approx. 45mm	max. 700

Table 2: Reel Information

7 Ordering Information

Ordering Part Number	Description	Distributor
iM222A	Radio module iM222A	wimod@imst.de
SK – iM222A	Coming soon	wimod@imst.de
AB – iM222A	Coming soon	wimod@imst.de
Notes:		

Table 7-1: Ordering Information

8 Appendix

8.1 List of Abbreviations

AB	= Adapter Board
ADC	= Analog-to-Digital Converter
AES	= Advanced Encryption Standard
DIO	= Digital Input/Output
E.I.R.P.	= Equivalent Isotropic Radiated Power
O-QPSK	= Offset Quadrature Phase Shift Keying
GPIO	= General Purpose Input/Output
MCU	= Microcontroller Unit
PCB	= Printed Circuit Board
PER	= Packet Error Rate
RAM	= Random Access Memory
RF	= Radio Frequency
RSSI	= Received Signal Strength Indication
SPI	= Serial Peripheral Interface
UART	= Universal Asynchronous Receiver/Transmitter
USB	= Universal Serial Bus
ZNP	= ZigBee Network Processor
API	= Application Programming Interface
ZNP	= ZigBee Network Processor
ZDO	= ZigBee Device Object
AF	= Application Framework

8.2 List of Figures

Figure 2-1: Block Diagram - iM222A.....	6
Figure 3-1: Pinout.....	10
Figure 3-2: Module Dimension.....	12
Figure 3-3: Footprint.....	12
Figure 4-1: Sample application schematic using UART communication.....	13
Figure 4-2: Recommended Environment.....	14
Figure 4-3: Recommended Solder Reflow Profile.....	15
Figure 6-1: Dimensions of the iM222A Carrier Tape.....	17

8.3 List of Tables

Table 3-1: Absolute Maximum Ratings.....	7
Table 3-2: General Characteristics.....	7
Table 3-3: Module Interface Characteristics.....	8
Table 3-4: RF Characteristics.....	9
Table 3-5: Pinout iM222A.....	11
Table 4-1: Recommended Soldering Parameter for Temperature and Timing.....	15
Table 2: Reel Information.....	17
Table 7-1: Ordering Information.....	18

8.4 References

IMST GmbH disclaims any responsibility for the contents of external links. The owner of the sites is responsible for its content. The validity of the referenced hyperlinks has been tested at publication date of this document. IMST GmbH cannot guarantee the long term validity of the hyperlinks.

9 Regulatory Compliance Information

The use of radio frequencies is limited by national regulations. The radio module has been designed to comply with the European Union's R&TTE (Radio & Telecommunications Terminal Equipment) directive 1999/5/EC and can be used free of charge within the European Union. Nevertheless, restrictions in terms of maximum allowed RF power or duty cycle may apply.

The radio module has been designed to be embedded into other products (referred as "final products"). According to the R&TTE directive, the declaration of compliance with essential requirements of the R&TTE directive is within the responsibility of the manufacturer of the final product. A declaration of conformity for the radio module is available from IMST GmbH on request.

The applicable regulation requirements are subject to change. IMST GmbH does not take any responsibility for the correctness and accuracy of the aforementioned information. National laws and regulations, as well as their interpretation can vary with the country. In case of uncertainty, it is recommended to contact either IMST's accredited Test Center or to consult the local authorities of the relevant countries.

10 Important Notice

10.1 Disclaimer

IMST GmbH points out that all information in this document is given on an “as is” basis. No guarantee, neither explicit nor implicit is given for the correctness at the time of publication. IMST GmbH reserves all rights to make corrections, modifications, enhancements, and other changes to its products and services at any time and to discontinue any product or service without prior notice. It is recommended for customers to refer to the latest relevant information before placing orders and to verify that such information is current and complete. All products are sold and delivered subject to “General Terms and Conditions” of IMST GmbH, supplied at the time of order acknowledgment.

IMST GmbH assumes no liability for the use of its products and does not grant any licenses for its patent rights or for any other of its intellectual property rights or third-party rights. It is the customer’s duty to bear responsibility for compliance of systems or units in which products from IMST GmbH are integrated with applicable legal regulations. Customers should provide adequate design and operating safeguards to minimize the risks associated with customer products and applications. The products are not approved for use in life supporting systems or other systems whose malfunction could result in personal injury to the user. Customers using the products within such applications do so at their own risk.

Any reproduction of information in datasheets of IMST GmbH is permissible only if reproduction is without alteration and is accompanied by all given associated warranties, conditions, limitations, and notices. Any resale of IMST GmbH products or services with statements different from or beyond the parameters stated by IMST GmbH for that product/solution or service is not allowed and voids all express and any implied warranties. The limitations on liability in favor of IMST GmbH shall also affect its employees, executive personnel and bodies in the same way. IMST GmbH is not responsible or liable for any such wrong statements.

Copyright © 2011, IMST GmbH

10.2 Contact Information

IMST GmbH

Carl-Friedrich-Gauss-Str. 2
47475 Kamp-Lintfort
Germany

T +49 2842 981 0 E wimod@imst.de
F +49 2842 981 299 I www.wireless-solutions.de